

OPAL DESIGN AND PLANNING GUIDE

for lifting heights up to five feet



Table of Contents

Company Introduction	3
What is an Unenclosed Vertical Platform Lift?	4
Design Versatility	5
Finishes	5
Component Identification	6
Platforms	7
Platform Controls	7
Platform Clear Dimensions	8
Platform Safety Features	9
User Friendly Features	9
Footprint and Pit/Runway Dimensions	10
Mast Sizes	11
Leadscrew Drive System	12
Hydraulic Drive System (USA)	12
Drive System Features and Options	12
Call Stations	13
Gates	14
Ramps	15
Lower Landing Ramp Dimensions	15
Loading Diagram	16

Garaventa - the world's #1 choice in accessibility solutions.

Garaventa has been dedicated to developing safe, reliable accessibility solutions since 1978 and is an industry leader throughout the world. Years of hard work and an uncompromising commitment to quality have enabled us to perfect the internationally renowned Garaventa Stair-Lift Inclined Platform Lift and Genesis Vertical Platform Lift product lines.

Our lifts are built with the end user in mind. Passenger comfort, simple-to-use operation and safety features allow people with limited mobility to operate the lifts independently or with assistance from an attendant.

Our expertise in providing accessibility solutions has enabled our design team to take on the most challenging access situations, and develop innovative solutions for schools, places of worship, offices, hotels, airports, subways and a wide range of public and private buildings around the world. Architects, building owner's and facility planners around the world, rely on Garaventa design expertise. We have built our business on service. Please contact us and let us help solve your access challenges.

Need Assistance Writing the Specification?

Genesis OPAL specifications will vary from one building site to another based on the site constraints, building materials, user requirements and local codes. **Your Local Authorized Garaventa Dealer has the expertise to assist and develop an appropriate design specification for your accessibility project.**

Authorized Garaventa Dealers can be found Worldwide, call or email Garaventa for the Dealership nearest you.

In addition, professional designers at Garaventa Lift are available to answer your technical questions and to assist you with the design and specs.

Garaventa Lift

Phone: (604) 594-0422 **Fax:** (604) 594-9915

Toll Free: 1-800-663-6556

web Site: www.garaventa.ca

Email: productinfo@garaventa.ca



©2008 Garaventa. As we are continuously improving our products, specifications outlined in this guide are subject to change without notice.

What is an Unenclosed Vertical Platform Lift?

An unenclosed vertical platform lift easily transports passengers up and down short vertical distances, for applications such as stages and porches. The platform walls, platform gate and optional automatic ramp travel with the platform creating a safety barrier around the passenger. Available for indoor and outdoor applications, the **Garaventa Genesis OPAL Lift** is an attractive and cost-effective accessibility solution.

Why an Unenclosed Vertical Lift?

An Unenclosed Vertical Lift vs a Ramp

An unenclosed vertical lift occupies less space than most ramps and is easier to use by those individuals who have difficulty ascending ramps.

Cost Effective with a Quick Delivery

An unenclosed vertical platform lift has lower equipment and installation costs compared to other types of accessibility equipment. In most cases, an unenclosed vertical lift can be delivered within a few weeks.

Commercial or Home Installation

An unenclosed vertical lift requires little or no site modifications and is an ideal accessibility solution when space and costs are the primary concerns. They are commonly used in public buildings and private residences.

Meets ADA Requirements (USA)

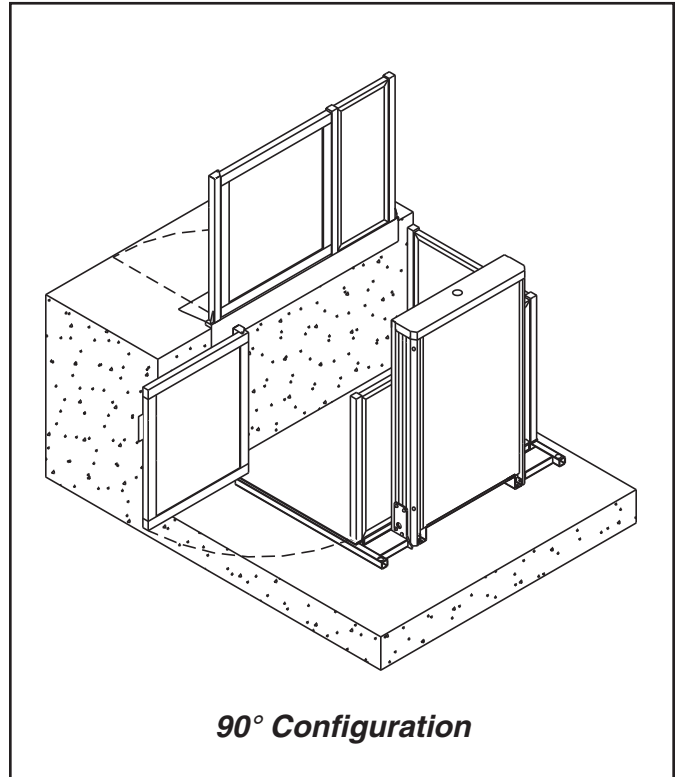
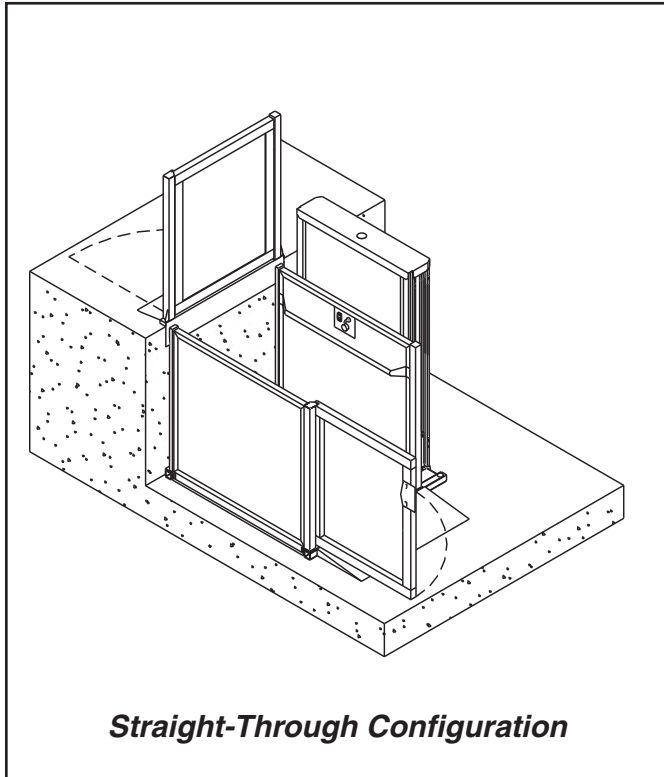
Unenclosed vertical lifts are approved in the ADA Accessibility Guidelines as a means to provide unassisted entry and exit from buildings, service or recreational facilities.

Meets US and European Codes

The Genesis OPAL is built in accordance with ASME A18.1 (USA), BSI (UK) and CE (Europe) code requirements.

Design Versatility

The Garaventa Genesis OPAL vertical lift is suitable for short rise applications with **straight through** or **90° entry/exit** configurations, and can be used **indoors** or **outdoors**. Please call our Design Hot Line at 1-800-663-6556 with your accessibility challenge.



Applications Include

- Schools
- Churches
- Courthouses
- Commercial Buildings
- Theaters
- Historical Buildings
- Restaurants
- Residential
- Hospitals
- Any Many More

For a list of installations in your area please contact your local representative or call Garaventa Lift

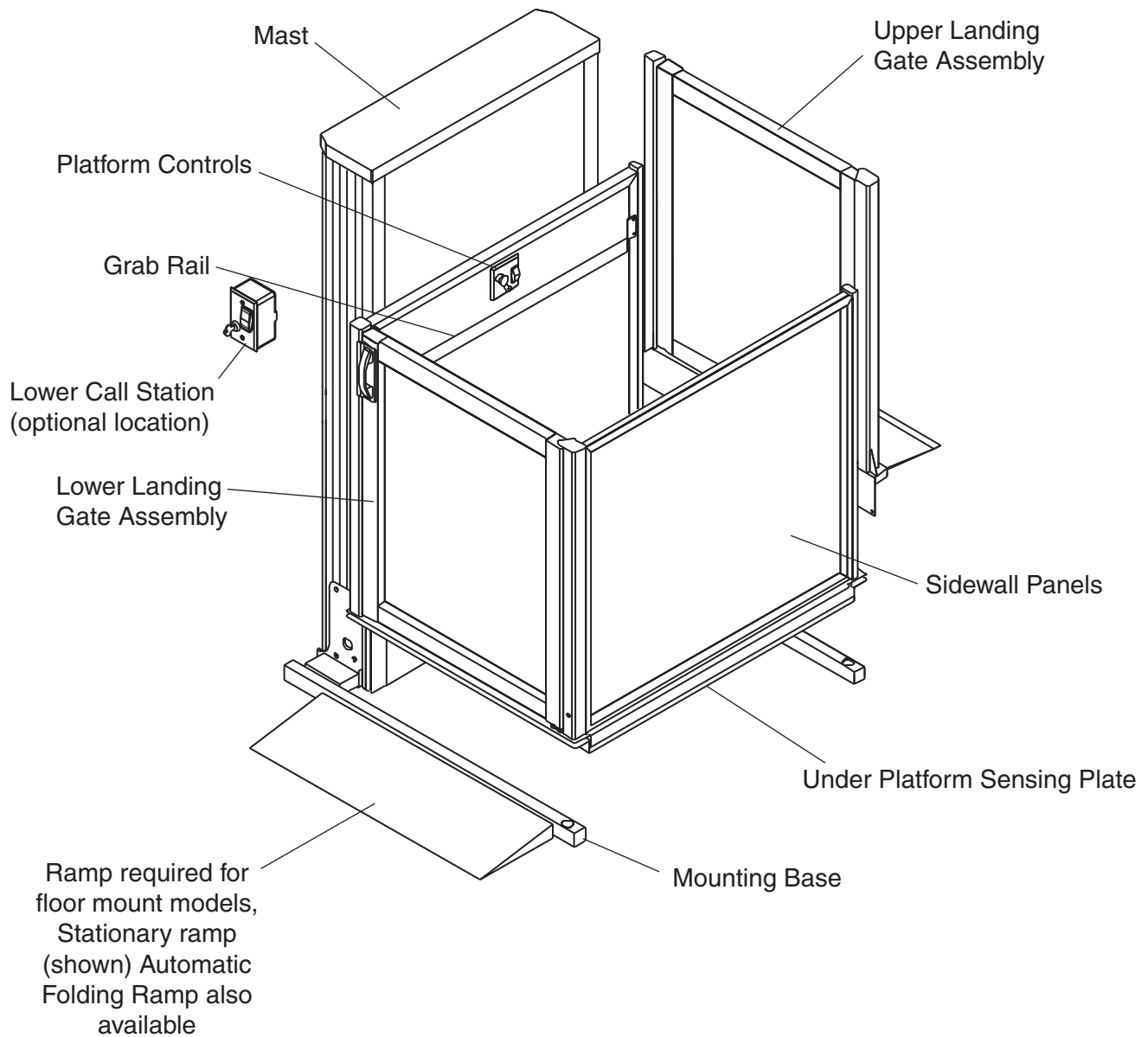
Finishes

The Genesis OPAL consists of steel panels and frame work finished with electrostatically applied Satin Grey (fine textured) paint. As an option, these components can be painted from the large selection of RAL colors.

Component Identification

The Genesis Vertical Platform Lift is offered in a variety of models for different accessibility challenges. This Design and Planning Guide applies to our unenclosed unit which we call the Genesis OPAL Model.

The Genesis OPAL consists of a complete vertical elevating system placed on the floor or in a 76mm (3") deep pit. It is constructed of a champagne colored, anodized aluminum extrusions and powder coated hollow structural steel (HSS) frame, a platform and 16 gauge powder coated panels.



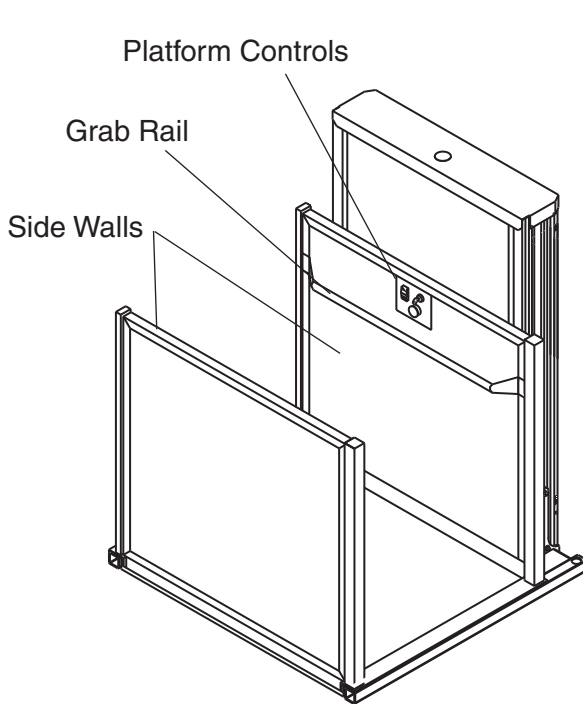
Standard Straight-Through Configuration

Platforms

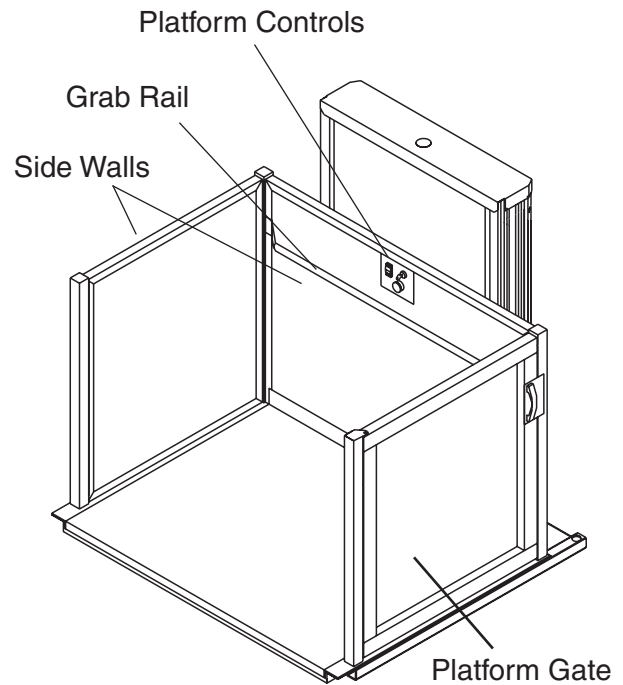
The Genesis OPAL has 3 platform sizes to meet your requirements.

(1) Standard (2) Mid-Size (3) Large

All three of these platforms have a **rated load of 340 kg. (750 lbs.)**. For the convenience of the passenger, a grab rail and the platform controls are mounted on the side wall that is adjacent to the mast.



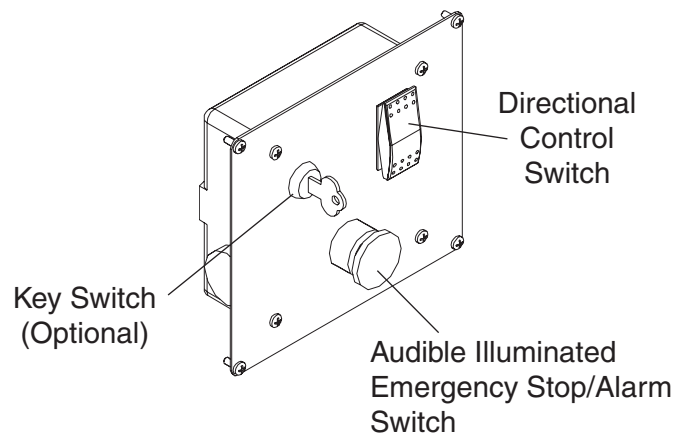
Straight Through Platform



90° Platform

Platform Controls

The platform controls consist of a **Directional Control Switch**, an **Audible Illuminated Emergency Stop/Alarm Switch** and can be equipped with a **Key Switch** (optional). Illuminated and tactile constant pressure buttons are available (optional).



Platform Controls

Platform Clear Dimensions

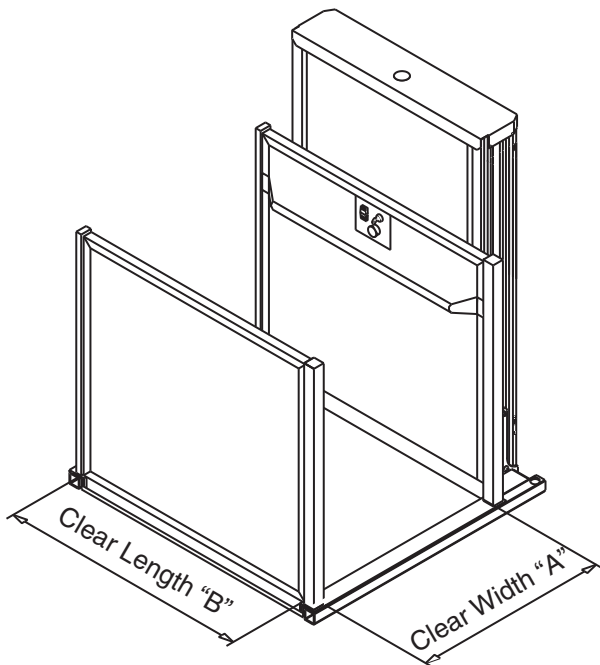
Clear inside dimensions vary depending on entry/exit configuration (placement of side walls) and platform size. Please refer to the chart below for the actual clear inside platform dimensions.

Straight Through Configuration

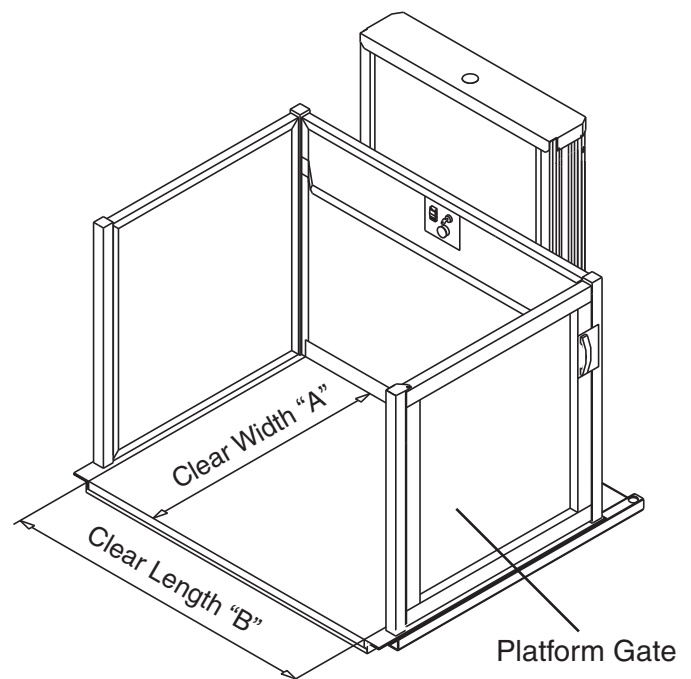
Platform Size	Clear Width "A"	Clear Length "B"
Standard	867mm (34 1/8")	1237mm (48 3/4")
Mid-Size	867mm (34 1/8")	1389mm (54 5/8")
Large	1045mm (41 1/8")	1542mm (60 3/4")

90° Configuration

Platform Size	Clear Width "A"	Clear Length "B"
Large	1104mm (43 1/2")	1485mm (58 1/2")



Straight Through Platform



90° Platform

Platform Safety Features

Under Platform Sensing Plate

A pressure sensitive plate is mounted under the platform to detect obstacles underneath the platform. The lift will automatically stop when the under-platform sensing plate encounters an obstruction. The platform may be driven upward to allow the obstruction to be removed.

Non Slip Surface

For the safety of the passengers the steel platform decking is painted with a rough textured non-slip paint.

Pit Switch (optional)

For areas where local codes require a service pit switch, one can be provided at the bottom of the mast. The pit switch shuts off the lift control system while a serviceman is working under the platform.

User Friendly Features

Garaventa PDO - Power Door Operator

The Garaventa Power Door Operator (PDO) automatically opens the door/gate when the platform arrives at a landing. When the lift is at the landing, the passenger can press the call station button or gently pull on the door/gate to activate the door opener. ADA compliant and obstruction sensitive, the door/gate mounted operator uses low voltage (24VDC) and has all wiring concealed within the lift. Certain applications may limit the use of this operator. Consult your authorized Garaventa representative for which power door operator is appropriate for your application.

Grab Rail

To aid with loading and unloading a 38mm (1 1/2") grab rail is located at 870mm (34 1/4") above the platform decking on the side wall adjacent to the mast.

Offset 'D' Handle (optional)

This option offers a touch of class and improved usability. This handle is available in a standard clear anodized aluminum look (brushed silver) finish.

Arrival Gong and Digital Floor Display

This is a platform mounted audio and visual platform location and arrival notification. Just like an elevator. This is a code requirement in some jurisdictions.

Footprint and Pit/Runway Dimensions

Straight Through Configuration

Platform Size	Footprint Width	Footprint Length	Pit Width	Pit Length
Standard	1246mm (49")	1294mm (51")	1309mm (51 1/2")	1332mm (52 1/2")
Mid-Size	1246mm (49")	1446mm (57")	1309mm (51 1/2")	1484mm (58 1/2")
Large	1424mm (56")	1598mm (63")	1487mm (58 1/2")	1636mm (64 1/2")

90° Configuration

Platform Size	Footprint Width	Footprint Length	Pit Width	Pit Length
Large	1424mm (56")	1598mm (63")	1443mm (56 3/4")	1681mm (66 1/8")

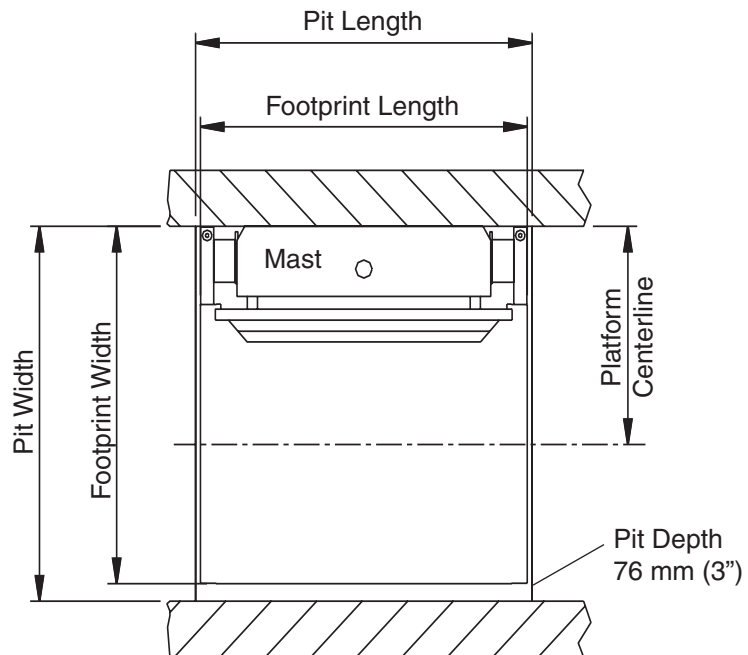
Platform Centerline

Platform Size	Standard	Mid-Size	Large	90° Large
Platform \mathcal{C}_L	755mm (29 3/4")	755mm (29 3/4")	843mm (33 1/4")	873mm (34 3/8")

Note: Footprint includes Platform, Mast and Base of Mast.

Pit/Runway dimensions include running clearances to adjacent walls. Mast is against the side of Pit/Runway wall. On non-entry/exit sides, we have added 64mm (2 1/2") for running clearance required by code. We have added 19mm (3/4") to each entry/exit side as required by code.

Note: If there are no adjacent walls planned, just add 25mm (1") to the Footprint Length and Footprint Width dimensions.



Base Attachment

The base of the Genesis OPAL is fastened to the floor with lag screws. The floor or pit should be concrete and must be 3500 psi. reinforced, with a minimum 102 mm (4") thickness. If the floor is not concrete, then it must be able to withstand the loads shown on page 16.

Mast Sizes

The mast size required for a particular site is determined by the vertical distance between the upper and lower landings.

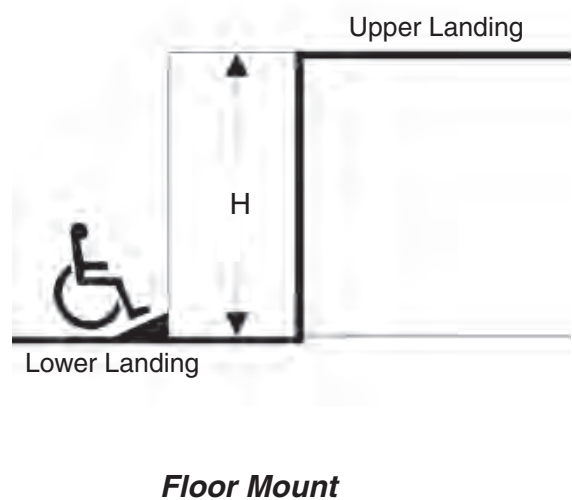
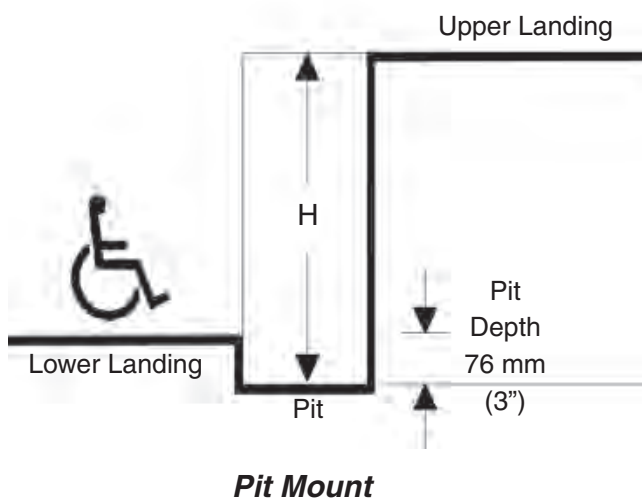
When the site is measured, the lift height “H” is always defined as the distance from the lower finished floor or bottom of pit to the finished floor of the upper landing as shown in the diagram below. If the lift is to be mounted directly on the surface of the lower landing and an entry ramp (stationary or folding) is used, then “H” equals the elevation change between the upper and lower landings. If the lift is pit mounted, then the measurement “H” is 76mm (3”) greater than the elevation change between landings. This measurement is crucial for your lift so be certain the height you provide is accurate.

Based on the measured value of “H” the drive mast is selected as follows;

Mast Size	Max. “H” Value	Mast Structure Height	Tieback Height
GVL - 42	1143mm (45”)	1737mm (68 3/8”)	1572mm (61 7/8”)
GVL - 60	1600mm (63”)	2194mm (86 3/8”)	2029mm (79 7/8”)
GVL - 96**	2515mm (99”)	3108mm (122 3/8”)	2333mm (91 7/8”)

The standard width of all masts is 998mm (39 1/4”).

** Not compliant to US code, ASME A18.1-2003 only allows unenclosed lifts up to 60” of travel.



Leadscrew Drive System

Driven by a quiet and reliable 2 H.P. motor attached to a 25mm (1") ACME screw, the OPAL travels between landings at 3 meters (10') per minute.

Mains Power (USA)

The mains power requirement is 120VAC on a dedicated 20 Amp circuit.

Mains Power (International)

208-240 VAC single phase on a dedicated 16 AMP circuit.

Hydraulic Drive System (USA)

Single phase 3 HP (2.2KW), 24 VDC Hydraulic motor, powered by Continuous Mains and equipped with an auxiliary power system travels between landings at 5.2 meters (17 ft.) per minute.

Mains Power (USA)

The mains power requirement is 120VAC on a dedicated 15 Amp circuit.

Mains Power (International)

208-240 VAC single phase on a dedicated 16 AMP circuit.

Drive System Features and Options

Manual Emergency Lowering Handwheel

(Leadscrew Model Only - standard)

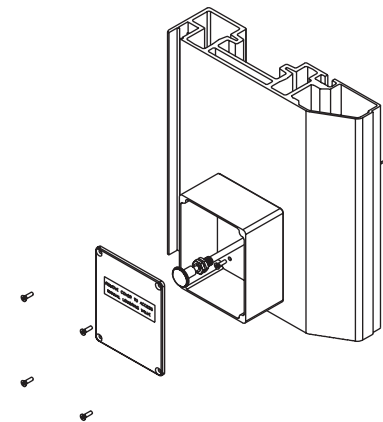
The manual emergency lowering handwheel engages the main drive screw at the top of the mast. The manual emergency lowering handwheel is used to move the platform to the lower landing in the event of a power outage.

Manual Lowering (Hydraulic Model Only - standard)

The manual lowering device consists of a pull knob mounted in a box on the side of the mast. When used, the platform is lowered to the landing.

Electrical Disconnect (optional)

A code compliant electrical disconnect is available for both Leadscrew and Hydraulic models. The disconnect shuts off the mains power and the 24V battery operation (Hydraulic only). The disconnect can be shipped loose for wall installation or mounted on an accessible side of the lift mast.



**Manual Emergency Lowering
Mounted on Mast Rail**

Full Time Battery Operation

(Hydraulic Model Only - Optional)

For low usage applications a full time battery operation power supply is available. This system is powered by a continuously charged battery pack. Battery power only lifts are appropriate for low usage applications. *Choose Continuous Mains for high use applications.

Call Stations

The call stations consist of up and down continuous pressure directional control switches and can be fitted with a key switch (optional). The platform is called to the landing by applying constant pressure to the appropriate directional switch. The platform will automatically stop when it has reached that landing.

Lower Call Stations

The lower call station is remotely mounted on a wall.

Upper Call Stations

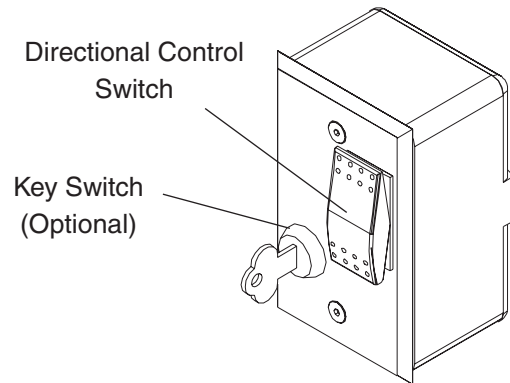
The upper call station can be mounted in the steel frame of the lift beside the upper gate or can be wall mounted.

Elevator Style Button Package (optional)

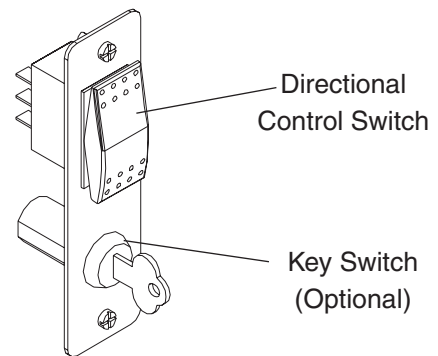
Illuminated and tactile buttons can be frame mounted or wall mounted in a new wall mount plate. Suitable for indoor or outdoor applications.

Key Switches (optional)

The standard OPAL configuration is for keyless operation. Key switches can be provided for security or to meet local code requirements.



**Wall Mounted Call Station
Used at Lower and/or Upper Landing**



**Frame Mounted Call Station
Used at Upper Landing**

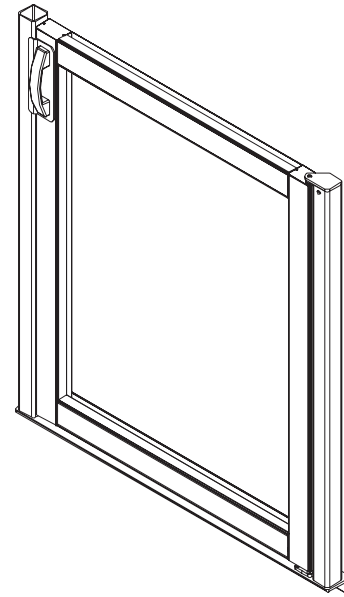
Gates

The lower gate of the Genesis OPAL is mounted onto the platform deck and travels from landing to landing. The upper gate which must be supported at the upper landing creates a safety barrier when the platform is not at the upper landing.

On 90° configurations, the upper gate assembly consists of the wide gate plus a panel that extends the gate assembly to the full length of the platform.

Electro-Mechanical Interlock

The Genesis OPAL is equipped with a durable mechanical interlock system that is electrically monitored. When the platform is not at a landing the mechanical interlock will not allow the gate to be opened.



Gate and Frame Assembly

Gate & Gate Assembly Dimensions

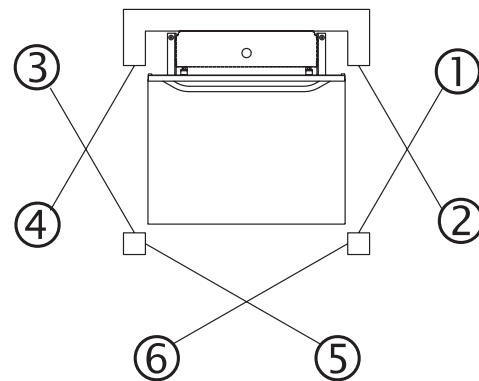
Platform Size	Gate Width	Platform Gate Frame Assembly Width	Upper Gate Frame Assembly Width*
Standard	854mm (33 5/8")	973mm (38 1/4")	983mm (38 3/4")
Mid-Size	854mm (33 5/8")	973mm (38 1/4")	983mm (38 3/4")
Large	1032mm (40 5/8")	1151mm (45 3/8")	1161mm (45 3/4")

Note: All gates are 1070mm (42 1/8") in height. (1100mm (43 1/2") in some jurisdictions)

** Upper gate frame assembly must be supported*

Gate Positions & Swing Options

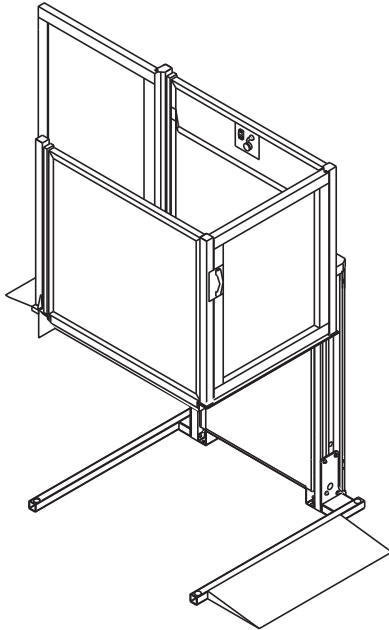
The Genesis OPAL is available in two entry/exit configurations. The lift can be supplied as a straight through (180°), or a 90° (left or right exit) lift configuration. With these entry/exit configurations the doors can be hinged on either side of the doorway. This enables the lift to be adapted to the surrounding areas and makes it easier for loading and off loading.



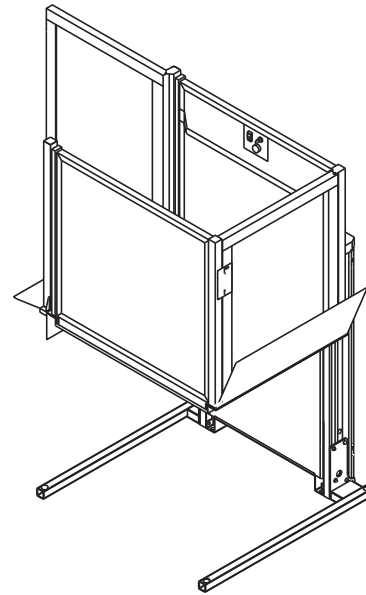
Gate Positions & Swing Options

Ramps

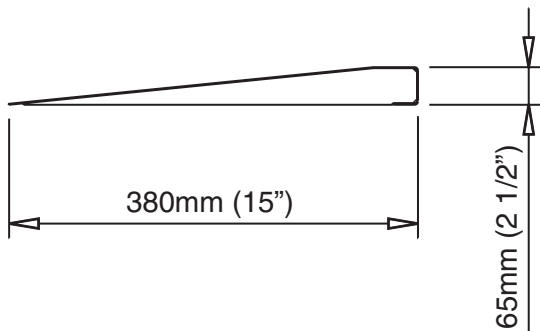
Ramps are an alternative when a 76mm (3") deep pit cannot be provided. There are two styles of ramps to choose from. The first is a **Stationary Ramp** that is fixed to the lower landing. The second is an **Folding Ramp** that is attached to the platform assembly and travels with the platform. When the platform begins to travel upwards, the ramp folds up automatically clearing the lower landing. For easier entry to the lift, it is recommended that a Power Door Operator is used at a landing where a ramp exists.



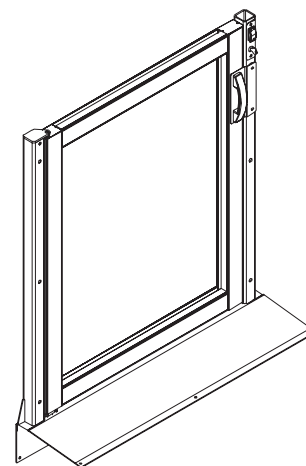
Stationary Ramp



Folding Ramp



Lower Landing Ramp Dimensions



Upper Landing Gate

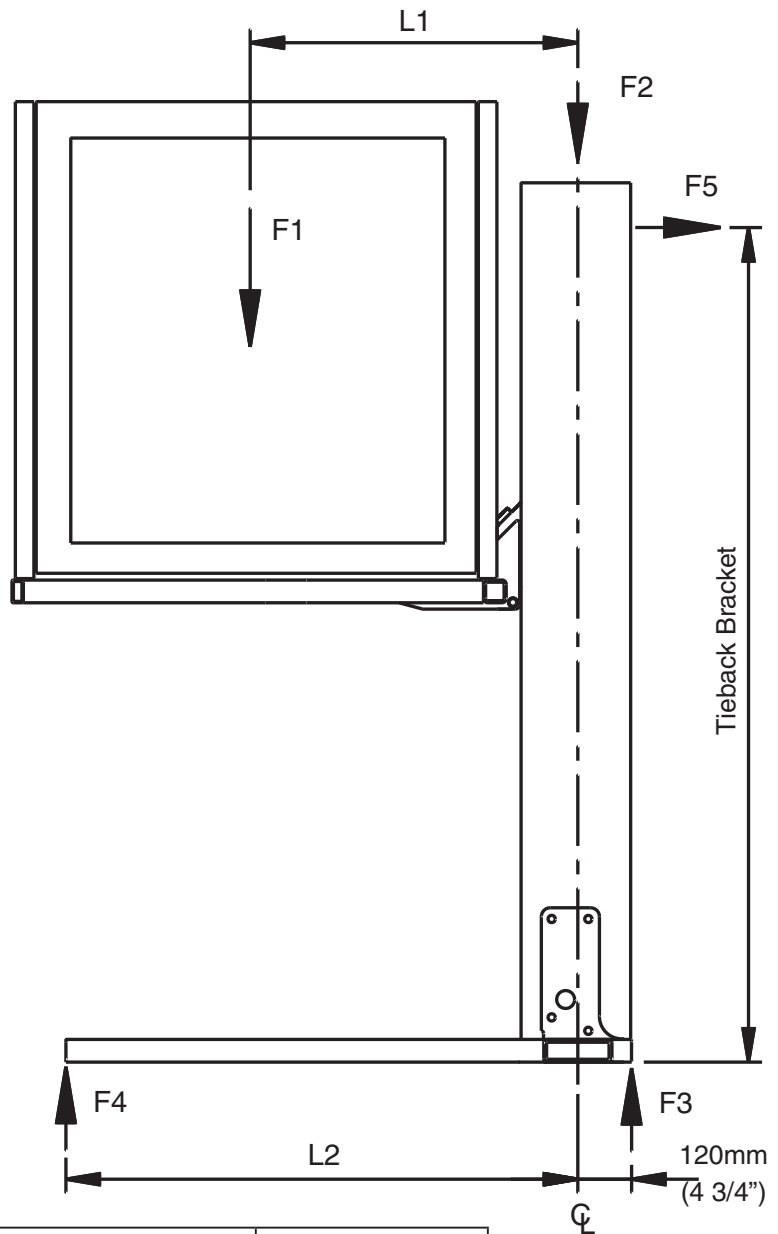
Loading Diagram

Platform Size	L1	L2
Standard	688 (27")	1145 (45")
Mid-Size	688 (27")	1145 (45")
Large	777 (30 5/8")	1145 (45")

Mast Size	Mast Height	Tieback Height
42	1737 (68 3/8")	1572 (61 7/8")
60	2194 (86 3/8")	2029 (79 7/8")

Mast Support Tiebacks:

All dive masts must be tied back and supported to comply with loads stated below.



Forces	Description		Value
F1 = 1000 lbs.	Payload (Max.)		3335 N (750 lbs.)
	Car (Platform) Weight		1110 N (250 lbs.)
F2	Mast Weight	42 Mast All Platform Sizes	777 N (175 lbs.)
		60 Mast All Platform Sizes	955 N (215 lbs.)
F3	Floor Reaction	42 Mast All Platform Sizes	4791 N (1079 lbs.)
		60 Mast All Platform Sizes	4955 N (1116 lbs.)
F4	Floor Reaction	42 Mast All Platform Sizes	426 N (96 lbs.)
		60 Mast All Platform Sizes	440 N (99 lbs.)
F5	Tieback Bracket Reaction	42 Mast Std & Mid Size Platforms	2087 N (470 lbs.)
		42 Mast Large Platform	2367 N (533 lbs.)
		60 Mast Std & Mid Size Platforms	1634 N (368 lbs.)
		60 Mast Large Platform	1856 N (418lbs.)



Garaventa Vertical Lift

Vertical Wheelchair Platform Lift

Specs: Genesis OPAL Model

Need Assistance Writing the Specification?

Genesis specifications will vary from one building site to another based on the stairway configuration, building materials, user requirements and local codes. **Your Local Authorized Garaventa Dealer has the expertise to assist and develop an appropriate design specification for your accessibility project.**

Authorized Garaventa Dealers can be found Worldwide, call or email Garaventa for the Dealership nearest you.

In addition, professional designers at Garaventa Lift are available to answer your technical questions and to assist you with the design and specs.

Garaventa Lift

Phone: (604) 594-0422 **Fax:** (604) 594-9915

Toll Free: 1-800-663-6556

web Site: www.garaventa.ca

Email: productinfo@garaventa.ca

Other Garaventa Lift products include:

Stair-Lift GSL Artira - Inclined Platform Lift for straight and turning stairways

Stair-Lift Xpress II - Inclined Platform Lift for straight stairways

Genesis Shaftway and Enclosure - Vertical Platform Lift for lifting heights up to 4343mm (171")

Genesis STAAGE - Portable Vertical Wheelchair Lift for lifting heights up to 1143mm (45")

Garaventa Lift Products

Garaventa is dedicated to helping you find quality accessibility solutions. Our design team has worked on many different projects for schools, offices, hotels, airports, subways, places of worship and a wide range of public and private buildings around the world.

Stair-Lift GSL Artira



Stair-Lift Xpress II



Genesis Shaftway and Enclosure Models



Genesis OPAL Model



The Stair-Lift GSL Artira is a versatile access solution suitable for indoor and outdoor applications with a maximum of seven steps. This model is designed for turning or curving stairways following the inside or outside radius of the stairways, or on straight stairways with intermediate landings.

The Stair-Lift Xpress II is designed for straight stairways. When good looks and fast installation times are considerations, the Xpress II is the answer. The Xpress II is safe, durable, code compliant and built with the quality and reliability you expect from Garaventa.

The Garaventa Genesis is a vertical platform lift designed to provide access into or within public buildings. It travels inside a complete, self-contained enclosure or can be located in a shaftway constructed by others. Our unique anodized design is strong, durable and attractive.

The Genesis OPAL is a reliable, cost effective accessibility solution for public buildings or private residences. This vertical lift is ADA compliant and suitable for indoor or outdoor applications requiring vertical transportation up to five feet.

Visit our Architects Resource Center at www.garaventa.ca



www.garaventa.ca

©2008 Garaventa Lift. As we are continuously improving our products, specifications outlined in this booklet are subject to change without notice.

Printed in Canada.

Garaventa Lift

USA: PO Box 1769, Blaine WA, USA 98231-1769

Canada: 7505 134A Street, Surrey, BC, Canada V3W 7B3

Phone: +1 604 594-0422

Toll Free: 1-800-663-6556

Fax: +1 604 594-9915

Email: productinfo@garaventa.ca

Web site: www.garaventa.ca

Global Portal: www.garaventalift.com

Authorized Garaventa Lift Representative

